



DAMPER HINGE



Features

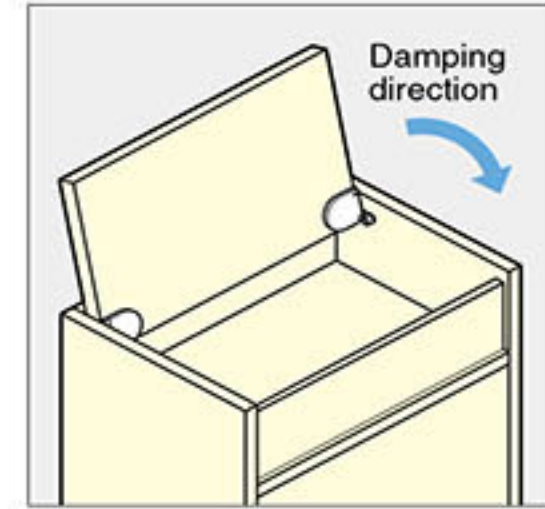
- Hinge with built-in damper to keep lid from slamming shut.
- Mortise mount type.
- With marking colour on the edge to recognize the model.

Remarks

Sold in pairs.

Parts Included

Countersunk head tapping screw 4x20



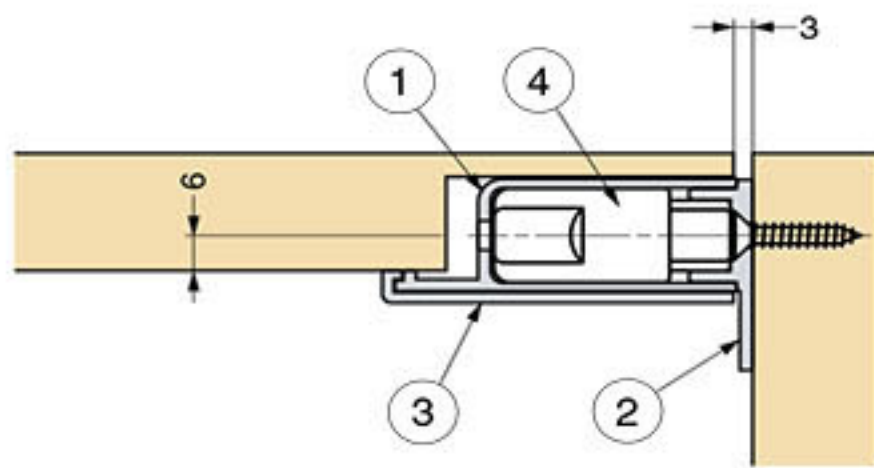
HINGES



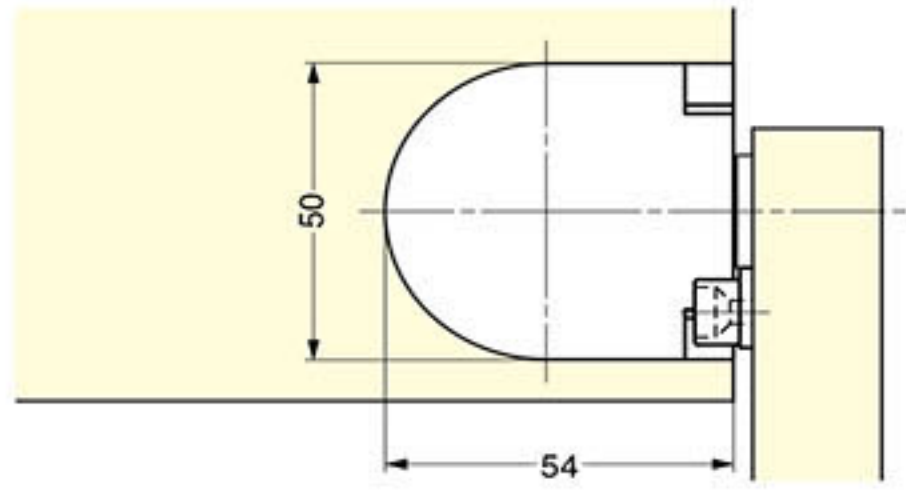
W/black cover



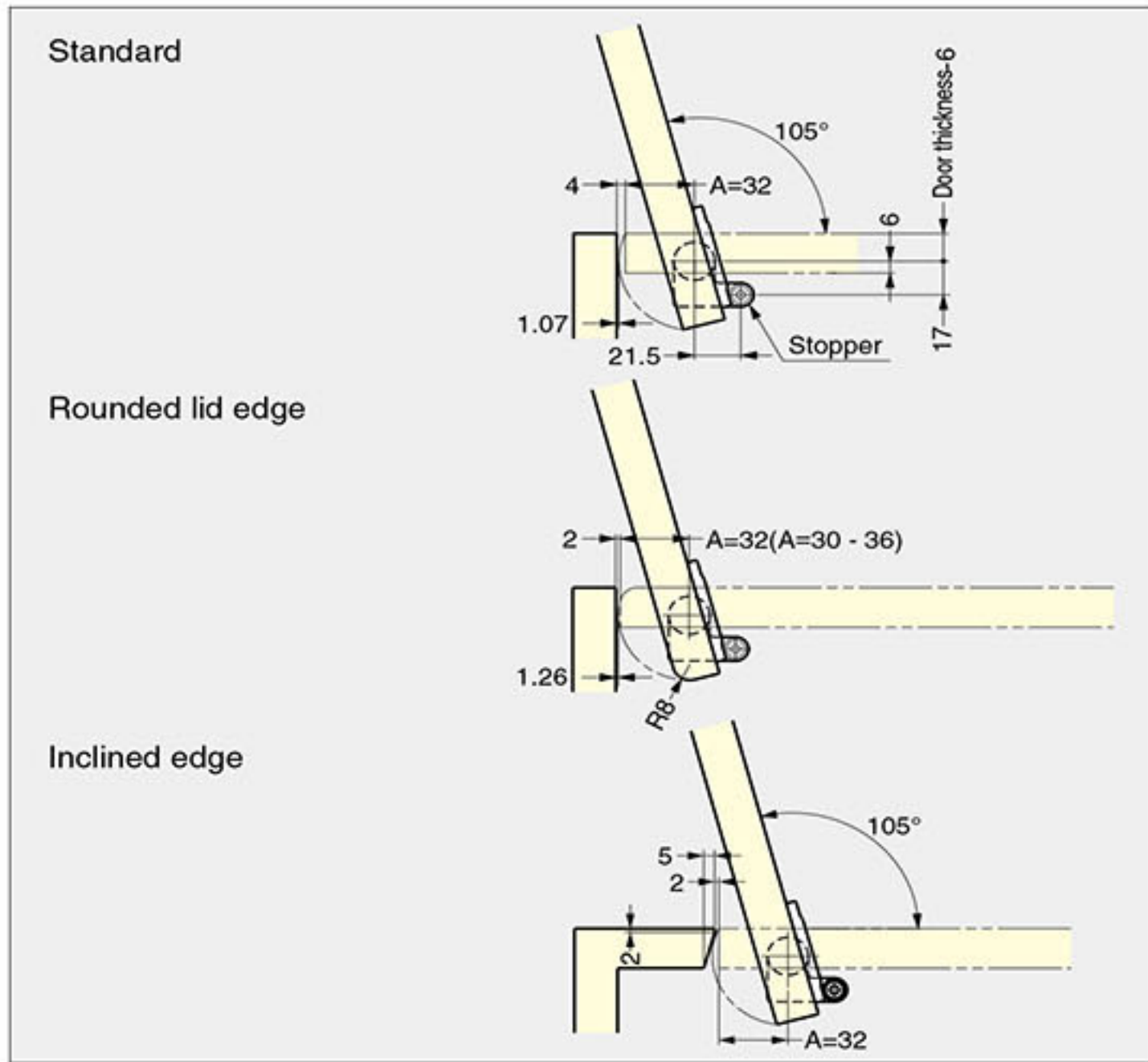
W/white cover



Video Link



Installation



No.	Part Name	Material	Finish/Colour
①	Body	Polyacetal (POM)	Black
②	Bracket	Aluminium Alloy	Black
③	Cover	ABS	Black/White
④	Damper	-	-

Criterion of Door Weight

Door Height D	Door Weight m	
	HG-JHM16-34	HG-JHM16-50
250	2.19 - 3.73 kg	3.73 - 5.48 kg
300	1.73 - 2.94 kg	2.94 - 4.32 kg
350	1.43 - 2.42 kg	2.42 - 3.57 kg
400	1.21 - 2.06 kg	2.06 - 3.03 kg
450	1.06 - 1.80 kg	1.80 - 2.64 kg

Calculation of Torque Moment

$$T = m \times 9.80665 \times L$$

T : Door torque moment (N·m)

m : Door weight (kg)

L : Length from the centre of an axis to centre of gravity (mm)

$$L = \frac{D}{2} - A$$

D : Door height (mm)

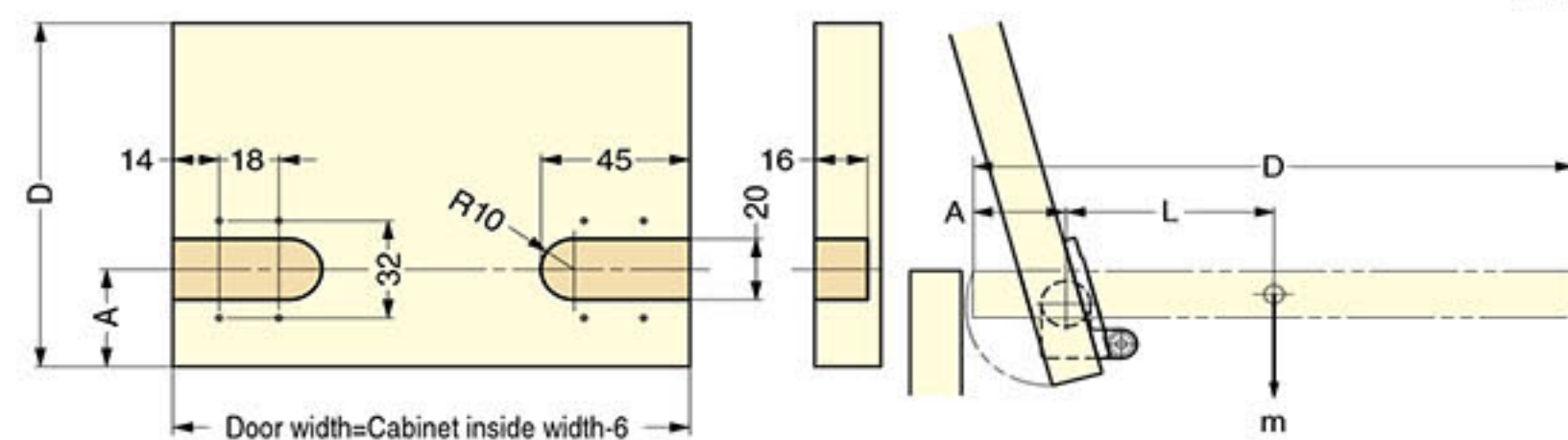
A : Length from centre of axis to back edge of the door (mm)

(Example) D=430 mm, A=32 mm, m=2.78 kg

$$T = 2.78 \times 9.80665 \times \left(\frac{430}{2} - 32 \right) = 4990 \text{ (N·mm)}$$

$$= 5.0 \text{ (N·m)}$$

Cut Out Dimensions



Item Code	Item Name	Colour	Torque Moment (Per pair)		Marking Colour	Weight
170-092-221	HG-JHM16-34BL	Black	2 - 3.4 N·m	20.4 - 34.7 kgf·cm	Green	126 g
170-092-222	HG-JHM16-34WT	White	2 - 3.4 N·m	20.4 - 34.7 kgf·cm	Green	126 g
170-092-223	HG-JHM16-50BL	Black	3.4 - 5 N·m	34.7 - 51 kgf·cm	Black	126 g
170-092-224	HG-JHM16-50WT	White	3.4 - 5 N·m	34.7 - 51 kgf·cm	Black	126 g

DAMPER HINGE